

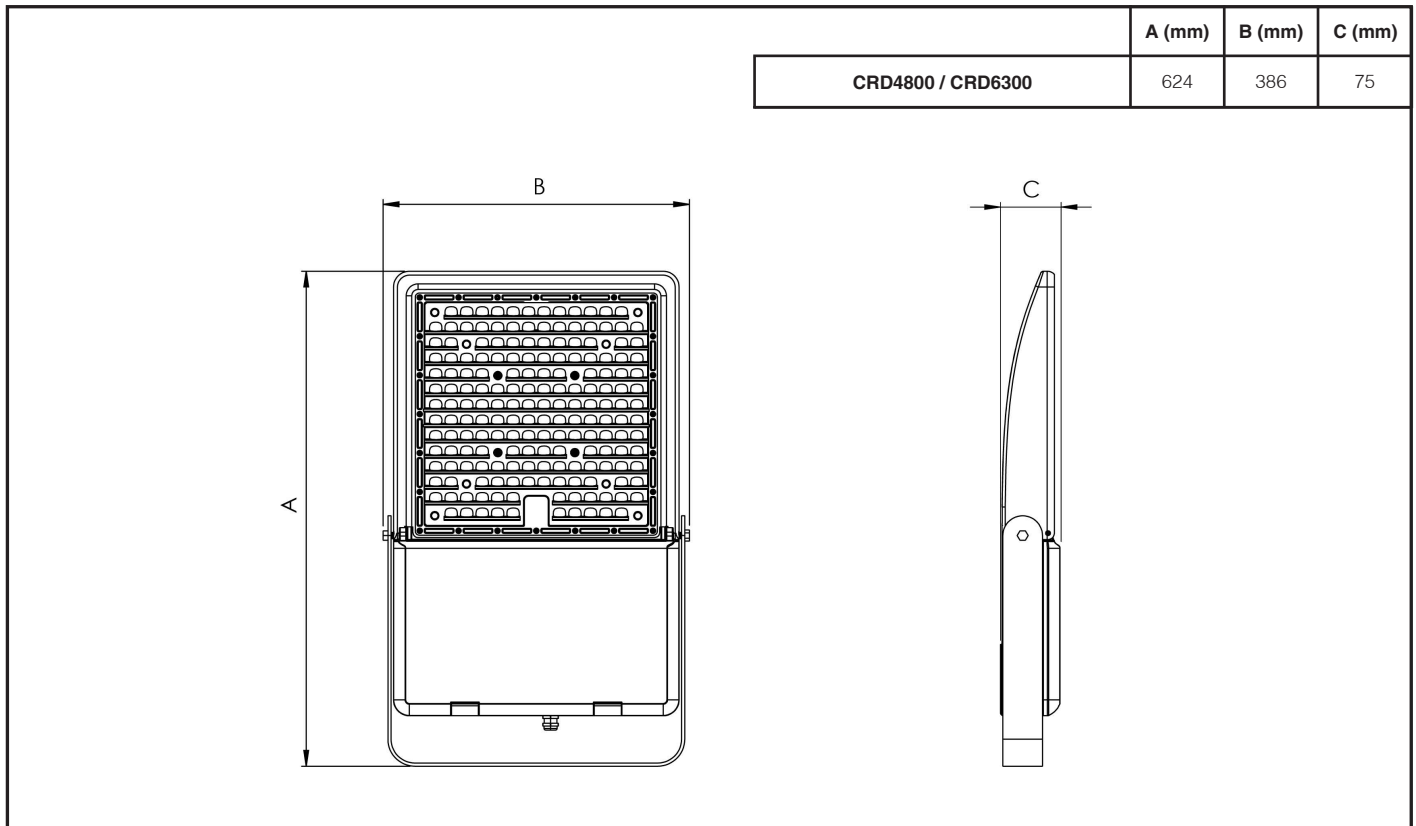
Product Name: CRUSADER

General information

- This luminaire must be installed in accordance with the latest edition of the IET Wiring Regulations and local Building Regulation by a qualified competent person.
- The mains power supply must be turned off before inspection, installation or removal of the luminaire, ensuring that the supply is locked off to prevent inadvertently switching the supply on.
- It is the installer's responsibility to ensure that the installation is suitable for the total load of the luminaire(s). The supply cable fuses/circuit breakers must be correctly rated for the electrical load and taking into account for any transient inrush currents that may occur.
- It is the installer's responsibility to ensure that the environmental operating and storage conditions are complied with and that any fire risks are considered.
- Do not perform insulation strength or insulation resistance tests on the installation with the luminaire(s) connected, this can damage the luminaires and give erroneous readings.
- Do not loop-in supply cables at the luminaire supply terminals unless there is provision for 2-way connection at the terminals.
- The light source contained in this luminaire must only be replaced by TamLite Lighting or an appointed service agent.
- Emergency lighting luminaires must be installed and maintained in accordance with the emergency lighting standard BS 5266-1.
- To ensure that the product warranty remains valid, the luminaire must be installed and maintained in accordance with these installation instructions and the product must not be modified in any way.

- Luminaires marked with this symbol must not be covered with thermally insulating material.
- This symbol on covers over light sources indicates dangerous live parts do not operate the luminaire with this cover removed.

Dimensions



Product Name: CRUSADER

| | |
|------------------------------------------------------------------------------------|-----------------------------------------------------------------------------------------------|
| <p>1</p> <p>Remove the product from its packaging.</p> | <p>2</p> <p>Detach the mounting bracket and the floodlight head.</p> |
| <p>3</p> <p>Mark mounting points and drill the holes on the mounting surface.</p> | <p>4</p> <p>Mount bracket with suitable fixings and re-attach floodlight head to bracket.</p> |
| <p>5</p> <p>Unbuckle the clips to lift the panel and thread the cable through.</p> | <p>6</p> <p>Connect the supply cable as shown.</p> |
| <p>7</p> <p>Close the panel and secure the buckles.</p> | <p>8</p> <p>Adjust tilt angle and tighten the screws.</p> |

Page 2 of 2

Tamlite Technical
 Stafford Park 12,
 Telford, Shropshire,
 TF3 3BJ

+44(0)1952 292441
 technical@tamllite.co.uk
 Document No: V1

